

DESCRIPTION: 3" x 3" POST

TARRIF# 7604.21.00.00

PROPOSAL# 16251-4

DATE

SYM

REVISION

BY

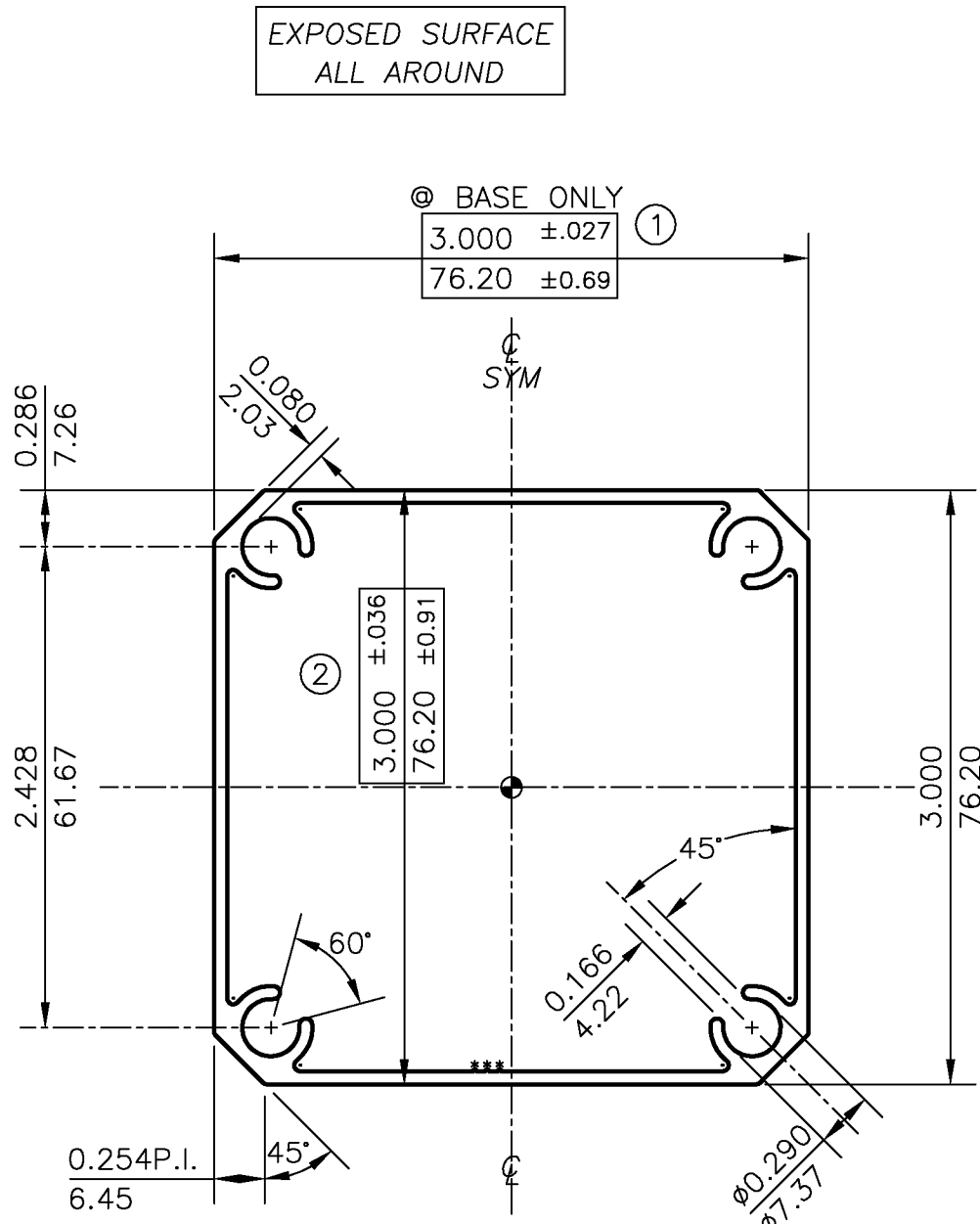
18,11,2020

△

REMOVED GROOVES

K.Y

(*) = 0.010(0.25) R. X 0.010(0.25)H: HYDRO I.D. MARKS



EXPOSED SURFACE
ALL AROUND

① @ BASE ONLY
3.000 ± 0.027
76.20 ± 0.69

② 3.000 ± 0.036
76.20 ± 0.91

REFERENCE ONLY

Area: 0.952
Perimeter: 25.883
Bounding box: X: -1.500 -- 1.500
Y: -1.499 -- 1.501
Moments of inertia: X: 1.354 Y: 1.353
Product of inertia: XY: 0.000
Radii of gyration: X: 1.192 Y: 1.192
Principal moments and X-Y directions about centroid:
I: 1.353 along [0.162 0.987]
J: 1.354 along [-0.987 0.162]

PAINTED MATERIAL

UNMARKED RADII = RADIUS TO SUIT
BREAK CORNERS = 0.016 (0.41) R.
(·) = 0.031(0.79) R. (8)

UNSPECIFIED WALL THICKNESS

③ 0.065(1.65)
± 0.010(0.25) H

EST. AREA	0.952 IN ²	614 MM ²	OUT PER.	11,400 IN	290 MM
EST. WT.	1.142 LBS/FT.	1.700 KG/M	FACTOR	23	
EST. PER.	25.837 IN	656 MM	C.C.D.	3.899 IN	99 MM
DWN BY	J.S.	ALLOY 6063-T5	SCALE	1:1	DATE 10/03/26

SIGNED: _____
DATE: _____