

DESCRIPTION: 2" X 2" POST

TARRIF# 7604.21.00.00

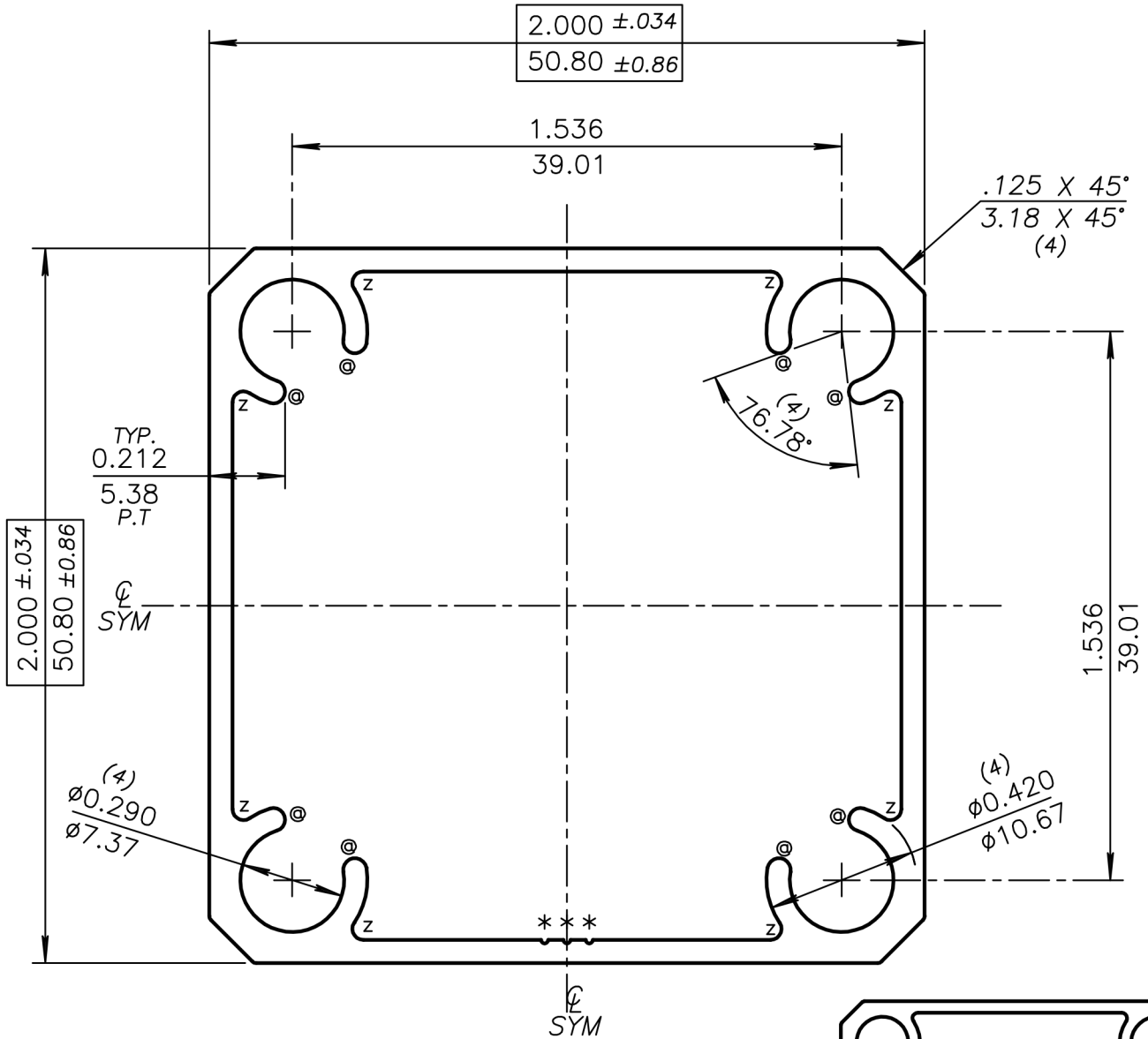
PROPOSAL# 33889-2A

SAPA 5675 Kennedy Road Mississauga, Ontario L4Z 2H9

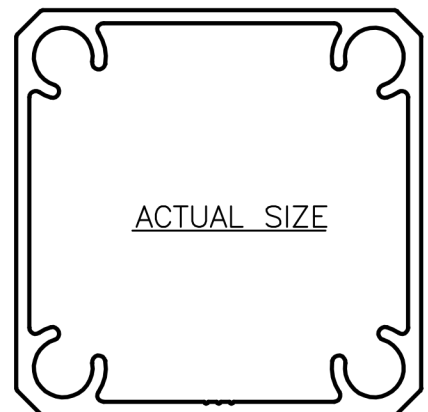
DATE

SYM

REVISION



EXPOSED SURFACE ALL AROUND



ACTUAL SIZE

CUSTOMER'S SUPPLIED CAD FILE

UNMARKED RADII = RADIUS TO SUIT  
 BREAK CORNERS = 0.016 (0.41) R.  
 (z) = 0.031 (0.79) R. (8)  
 (⊙) = FULL R. (8)

(\*) = 0.010(0.25) R. X 0.010(0.25)D. SAPA I.D. MARKS

**ARCHITECTURAL**  
 FENCE & RAILINGS

UNSPECIFIED WALL THICKNESS  
 0.065(1.65)  
 ±0.010(0.25) H

EST. AREA	0.647 IN <sup>2</sup>	417 MM <sup>2</sup>	OUT PER.	7.702 IN	196 MM
EST. WT.	0.776 LBS/FT.	1.155 KG/M	FACTOR	22	
EST. PER.	17.189 IN	437 MM	C.C.D.	2.657 IN	67 MM
DWN BY	Angela	ALLOY 6063-T6	SCALE	2:1	DATE 16-06-08

BREAK ALL CORNERS .016"R (0.41 mm)R UNLESS OTHERWISE NOTED.

STANDARD ALUMINUM ASSOCIATION TOLERANCES TO APPLY UNLESS OTHERWISE SPECIFIED