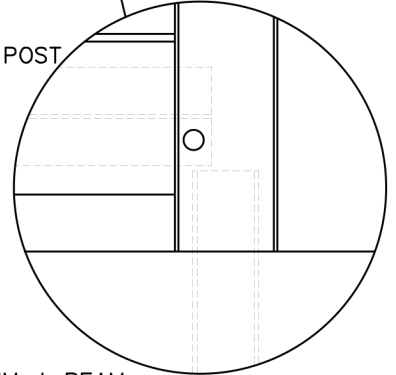
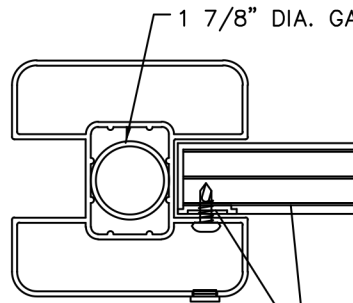


TOP MOUNTED  
ON CONCRETE  
OR WOOD



POUND INTO  
GROUND

**SPECIFICATIONS:**

POSTS, RAILS:  
& PICKETS VINYL .125 WALL

FINISH: PVC (POLY VINYL CHLORIDE)  
MADE IN CANADA

POSTS: 140mm x 140mm(5.5"x 5.5") x 1.25mm WALL

POST CAPS: PYRAMID

PRIVACY PANEL: VINYL .125 WALL

**STANDARD COLOURS:**

WHITE AND CLAY

WARRANTY: 5 YEAR LIMITED

**\*NOTE:** FOR CLEAN AND SEAMLESS FINISH, NO FASTENERS ARE EXPOSED.

COMMENTS:



TITLE:

VINYL FENCES  
STYLE SF-V1

DRAWING No.

SF-V1

CHK'D:

DATE: OCT. 13/2020